

# KIEN1005G



## 5G Port Full Gigabit Unmanaged DIN-Rail Switches

- Green Ethernet solution with full load power consumption as low as 3.4W
- 5 Gigabit RJ45 ports
- EMC performance reaches industrial level 4
- IP40 protection class
- CE,FCC certificates



### Overview

The KIEN1005G full Gigabit series belong to Kyland ultra low power consumption Green Ethernet series, equipped with 5 Gigabit ports, plug and play, its full load power consumption is as low as 3.4 watts. The solid metal housing with IP40 protection class, strong vibration-resistant mounting clip for DIN-Rail installation, redundant power inputs, wide operating temperature range from -40°C to 85°C, and excellent EMC performance give the switches stable and reliable operating capability in the harsh industrial environments, and make them ideal for setting up high bandwidth Ethernet connections in power, factory automation, oil and gas and other industrial applications.

### Technical Specification

#### Technical Parameters

- Standard
- ▼ IEEE 802.3i (10Base-T)
  - ▼ IEEE 802.3u (100Base-TX)
  - ▼ IEEE 802.3ab(1000Base-T)

#### Switch Properties

MAC Table	1K
Packet Buffer	1Mbit
Packet Forwarding Rate	7.4Mpps
Switching Delay	<5μs

#### Interface

Gigabit Port	10/100/1000Base-T(X), RJ45 port
--------------	---------------------------------

#### LED

- LEDs on Front Panel
- ▼ Power LED:PWR1, PWR2
  - ▼ Interface LED:Link/ACT, Speed (RJ45 port)

#### Power Requirement

- Power Input
- ▼ 24-48VDC
  - ▼ 12-24VDC
- Power Terminal
- ▼ 5-pin 5.08mm-spacing plug-in terminal block
- |                       |                                  |
|-----------------------|----------------------------------|
| Power Consumption     | 3.4W (full load),0.99W (no load) |
| Overload Protection   | Support                          |
| Reverse Protection    | Support                          |
| Redundancy Protection | Support                          |

#### Physical Characteristics

Housing	Metal
Cooling	Natural convection, fanless
Protection Class	IP40
Dimension	30mm×115mm×91.5mm(W×H×D)
Weight	0.46Kg
Mounting	DIN-Rail or Panel Mounting

#### Environmental Limits

Operating Temperature	-40°C to +85°C
Storage Temperature	-40°C to +85°C
Ambient Relative Humidity	5-95% (non-condensing)

#### Warranty

MTBF	357,000 hrs
Warranty	5 years

## Approvals

CE,FCC

## Industrial Standards

EMI

▼ FCC CFR47 Part 15,EN55022/CISPR22,Class A

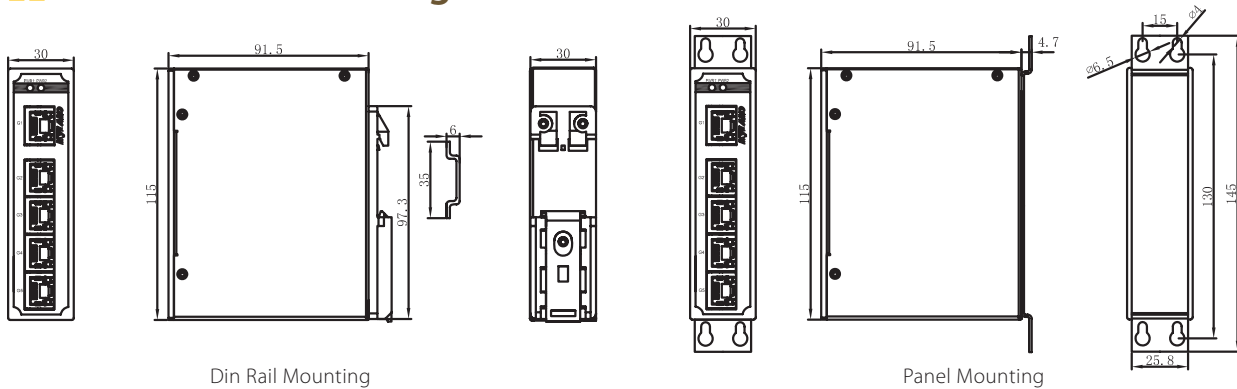
EMS

- ▼ IEC61000-4-2(ESD) ±8kV(contact),±15kV(air)
- ▼ IEC61000-4-3(RS) 10V/m(80MHz–2GHz)
- ▼ IEC61000-4-4(EFT) Power Port:±4kV;Data Port:±2kV
- ▼ IEC61000-4-5(Surge) Power Port: ±2kV/DM, ±4kV/CM; Data Port:±2kV
- ▼ IEC61000-4-6(CS) 10V(150kHz–80MHz)

Machinery

- ▼ IEC60068-2-6 (Vibration)
- ▼ IEC60068-2-27 (Shock)
- ▼ IEC60068-2-32 (Free Fall)

## » Mechanical Drawing



## » Ordering Information

### KIEN1005G-Ports-PS1-PS2

#### Ports

5GE 5×10/100/1000Base-T(X) RJ45 ports

#### PS

L2-L2 24-48VDC, redundant power inputs

L5-L5 12-24VDC, redundant power inputs

## » Accessories

### Accessory Model

### Description

DT-BGAZ-01	Panel for panel mounting
DT-FCZ-RJ45-01	Dustproof cover for RJ45 port