

# KIEN7009

## 9 Port Layer 2 Simple Managed DIN-Rail Switches



- 3 fast Ethernet fiber/RJ45 optional ports, 6 10/100Base-T(X) ports
- Supports DT-Ring and DRP protocols
- Supports one-key recovery
- Supports watchdog
- Provides Mini USB Console port
- UL508, Class I Div 2, CE, FCC certificates



### Overview

KIEN7009 is one of Kyland green low power consumption industrial Ethernet switch series. It is equipped with 3 100Base-FX optic ports and 6 10/100Base-TX copper ports, making it ideal for building a fast Ethernet fiber optic ring and leaving a spare fiber port for uplink use. The KIEN7009 series, certified by CE, FCC, UL508 and CID2, is a light managed device, supporting DRP, DT-Ring, VLAN, SSH, SSL and other protocols to increase system reliability. It is designed especially for harsh environments with wide operating temperature range, EMC level 4, IP40 protection class, and can be deployed in wind power, distribution network, automation, transportation, oil & gas and many other industrial applications.

### Software Functions

#### Switching

Support VLAN, PVLAN

#### Redundancy

Support DT-Ring, DT-Ring+, DT-VLAN with the recovery time<50ms  
Support DRP with the recovery time<20ms

#### Network Security

Support HTTPs/SSL  
Support SSH  
Support TACACS+  
Support MAC address binding with switch ports

#### Management & Maintenance

Support Console, Telnet, WEB management methods

Support SNMPv1/v2c/v3, Kyvision centralized management  
Support software upgrade by FTP and TFTP  
Support power, port and ring alarm  
Support RMON  
Support Link-check

### Product Specifications

#### Technical Parameters

Standard

- ▼ IEEE 802.3i(10Base-T)
- ▼ IEEE 802.3u(100Base-T and 100Base-FX)
- ▼ IEEE 802.3x(Flow Control)
- ▼ IEEE 802.1Q(VLAN)

#### Switch Properties

Number of VLANs	256
VLAN ID	1-4093
MAC Table	8K
Packet Buffer	1Mbit
Packet Forwarding Rate	1.4Mpps
Switching Delay	<10μs

#### Interface

Fast Ethernet Port

- ▼ 100Base-FX, SM/MM, SC/ST/FC connector
- ▼ 10/100Base-T(X), RJ45 port

Console Port Mini USB

Alarm Contact

- ▼ 3-pin 5.08mm-spacing plug-in terminal block,250VAC/220VDC Max, 2A Max

#### LED

LEDs on Front Panel

- ▼ Running LED: Run
- ▼ Alarm LED: Alarm (12/24/48VDC model only)
- ▼ Power LED: PWR1,PWR2
- ▼ Ring LED: Ring
- ▼ Interface LED: Link/ACT, Speed (RJ45 port); Link/ACT(Fiber port)

## Button

Reset: Reboot and restore default configuration

## Power Requirement

Power Input

- ▼ 24-48VDC
- ▼ 12-24VDC
- ▼ 100-240VAC, 50/60Hz; 110-220VDC

Power Terminal

- ▼ 5-pin 5.08mm-spacing plug-in terminal block (12/24/48VDC)
- ▼ 3-pin 5.08mm-spacing plug-in terminal block (220VAC/DC)

Power Consumption	<8.1W
Overload Protection	Support
Reverse Protection	Support
Redundancy Protection	Support (12/24/48VDC)

## Physical Characteristics

Housing	Metal
Cooling	Natural convection, fanless
Protection Class	IP40
Dimension	
▼	53.6mm×135mm×106.5mm(W×H×D) (12/24/48VDC)
▼	66mm×135mm×106.5mm (W×H×D) (220VAC/DC)
Weight	0.76Kg
Mounting	DIN-Rail or Panel Mounting

## Environmental Limits

Operating Temperature

- ▼ -40°C to +85°C(12/24/48VDC)
- ▼ -40°C to +75°C(220VAC/DC)

Storage Temperature	-40°C to +85°C
Ambient Relative Humidity	5-95% (non-condensing)

## Warranty

MTBF	385,000 hrs
Warranty	5 years

## Approvals

UL508\*, Class I Div 2\*,CE, FCC

\*: UL certified max operating temperature is 75°C.

## Industry Standard

EMI

- ▼ FCC CFR47 Part 15,EN55022/CISPR22,Class A

EMS

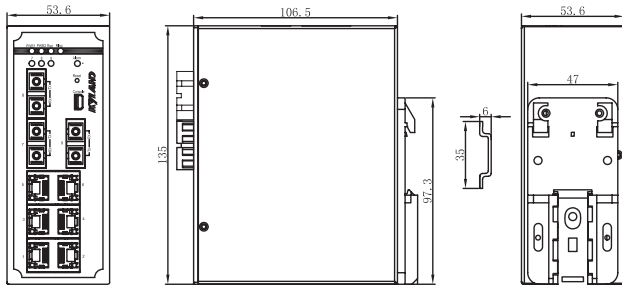
- ▼ IEC61000-4-2(ESD) ±8kV(contact),±15kV(air)
- ▼ IEC61000-4-3(RS) 10V/m(80MHz-2GHz)
- ▼ IEC61000-4-4(EFT) Power Port:±4kV;Data Port:±2kV
- ▼ IEC61000-4-5(Surge) Power Port: ±2kV/DM, ±4kV/CM; Data Port:±2kV
- ▼ IEC61000-4-6(CS) 10V (150kHz-80MHz)

Machinery

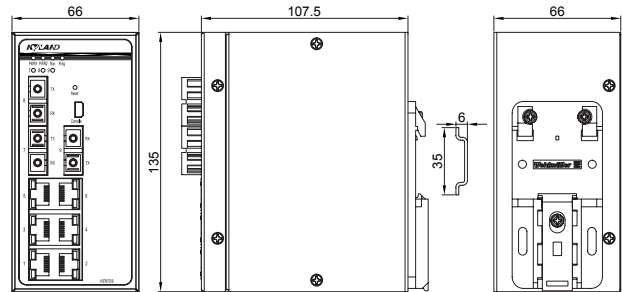
- ▼ IEC60068-2-6 (Vibration)
- ▼ IEC60068-2-27 (Shock)
- ▼ IEC60068-2-32 (Free Fall)

## Mechanical Drawing

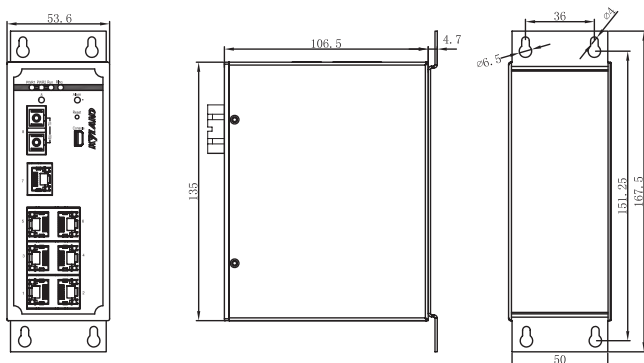
Din Rail Mounting (Low voltage version)



Din Rail Mounting (High voltage version)



Panel Mounting (Low voltage version)



## Ordering Information

### KIEN7009-Ports-Connector-PS1-PS2

#### KIEN7009-Ports-Connector-PS1

<b>Ports</b>	
3S6T	3×100Base-FX, single mode fiber ports; 6×10/100Base-T(X) RJ45 ports
3M6T	3×100Base-FX, multi mode fiber port; 6×10/100Base-T(X) RJ45 ports
2S6T	2×100Base-FX, single mode fiber ports; 6×10/100Base-T(X) RJ45 ports
2M6T	2×100Base-FX, multi mode fiber port; 6×10/100Base-T(X) RJ45 ports
2S4T	2×100Base-FX, single mode fiber ports; 4×10/100Base-T(X) RJ45 ports
2M4T	2×100Base-FX, multi mode fiber port; 4×10/100Base-T(X) RJ45 ports
1S7T	1×100Base-FX, single mode fiber port; 7×10/100Base-T(X) RJ45 ports
1M7T	1×100Base-FX, multi mode fiber port; 7×10/100Base-T(X) RJ45 ports
8T	8×10/100Base-T(X) RJ45 ports
<b>Connector</b>	
<b>100M fiber port specifications</b>	
SC05	SC connector, multi-mode, 1310nm, 5km
ST05	ST connector, multi-mode, 1310nm, 5km
FC05	FC connector, multi-mode, 1310nm, 5km
SC40	SC connector, single-mode, 1310nm, 40km
ST40	ST connector, single-mode, 1310nm, 40km
FC40	FC connector, single-mode, 1310nm, 40km
SC60	SC connector, single-mode, 1310nm, 60km
SC80	SC connector, single-mode, 1550nm, 80km
None	No 100M fiber port
<b>PS1-PS2</b>	
L2-L2	24-48VDC, redundant power inputs
L5-L5	12-24VDC, redundant power inputs
<b>PS1</b>	
HV	100-240VAC, 50/60Hz; 110-220VDC , single power input

## Accessories

<b>Accessory Model</b>	<b>Description</b>
DT-BGAZ-02	Panel for panel mounting
DT-FCZ-RJ45-01	Dustproof cover for RJ45 port
DT-XL-Mini USB-USB-2m	Mini USB to USB cable for Console management, 2m

